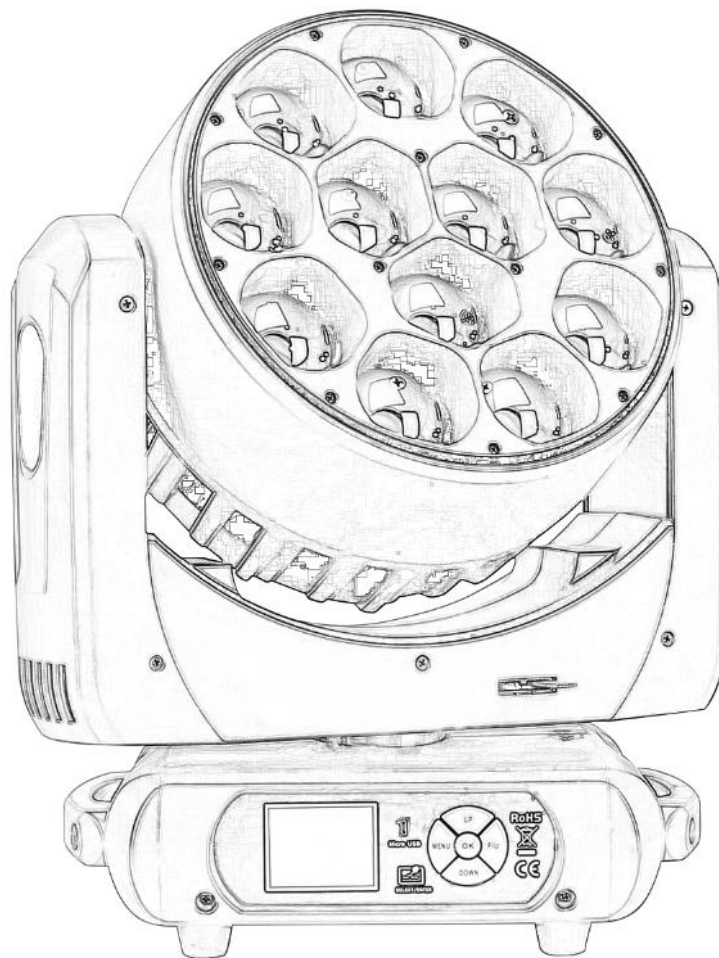


User manual



12X40Z WASH

Please read the instructions carefully before use

TABLE OF CONTENTS

1. Safety Instructions.....	3-4
2. Technical Specifications.....	4
3. Control Menu	5-6
4. DMX Channels	6-13
5. Dimension	13
6. Trouble Shooting.....	14
7. Fixture Cleaning.....	14

STATEMENT

The product has well capability and intact packing when leave factory. All of the user should comply with warning item and manual, any misuse cause of the damages are not included in our guarantee, and also can not be responsible for any malfunction & problem owing to ignore the manual.

1. Safety Instructions

Please keep this User Guide for future consultation. If you sell the unit to another user, be sure that they also receive this instruction booklet.

- Unpack and check carefully there is no transportation damage before using the unit.
- Before operating, ensure that the voltage and frequency of power supply match the power requirements of the unit.
- It's important to ground the yellow/green conductor to earth in order to avoid electric shock.
- The unit is for indoor use only. Use only in a dry location.
- The unit must be installed in a location with adequate ventilation, at least 50cm from adjacent surfaces. Be sure that no ventilation slots are blocked.
- Disconnect main power before replacement or servicing.
- Make sure there are no flammable materials close to the unit while operating as it is fire hazard.
- Use safety cable when fixes this unit. DO NOT handle the unit by taking its head only, but always by taking its base.
- Maximum ambient temperature is T_a : 40°C . DO NOT operate it where the temperature is higher than this Unit surface temperature may reach up to 85°C . DO NOT touch the housing bare-hand during its operation. Turn off the power and allow about 15 minutes for the unit to cool down before replacing or serving.
- the event of serious operating problem, stop using the unit immediately. Never try to repair the unit by yourself. Repairs carried out by unskilled people can lead to damage or malfunction. Please contact the nearest authorized technical assistance center. Always use the same type spare parts.
- DO NOT touch any wire during operation as high voltage might be causing electric shock.

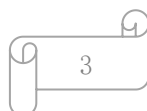
Warning:

- To prevent or reduce the risk of electrical shock or fire, do not expose the unit to rain or moisture.
- The housing, the lenses, or the ultraviolet filter must be replaced if they are visibly damaged.

Caution:

- There are no user serviceable parts inside the unit. DO NOT open the housing or attempt any repairs yourself. In the unlikely event your unit may require service, please contact your nearest dealer.

Installation:



- The unit should be mounted via its screw holes on the bracket. Always ensure that the unit is firmly fixed to avoid vibration and slipping while operating. And make sure that the structure to which you are attaching the unit is secure and is able to support a weight of 10 times of the unit's weight. Also always use a safety cable that can hold 12 times of the weight of the unit when installing the fixture.
- The equipment must be fixed by professionals. And it must be fixed at a place where is out of the touch of people.

2. Technical Specifications

Power supply: 110-240V, 50/60HZ

Power consumption: 600W

Light source:12x40W 4in1 RGBW LED

DMX Channel:24/28 CH

CCT : 2500-8000k (adjustable)

Zoom angle: 2.8° - 55 °

Horizontal scanning: 540° (16bit precision scanning) Electronic error correction

Vertical scanning: 270° (16bit precision scanning) Electronic error correction

Construction

Data In/Out : 3-pin XLP socket

Power in/Out : Power Con in / out

Protection Rating: IP20

Strobe: 1-25 times/S or random strobe

Dimming: 0-100% linear adjustment

Dimensions : 470x400x270 mm

Weight: 14.3kgs

3.Control Menu



-  MENU
-  UP
-  DOWN
-  ENTER

Menu Operation

On the base of the control panel offers a number of features, such as setting DMX fixture address, switch the lamp, run the test program, the mode selection.

Main Menu	Second	Third	Fourth	
Dmx Address	000 - 512			
Run Mode	Dmx512	0-255		
	Slow			
	Fast			
	Sound			
	Manual			
Invert	Pan	Yes/No		
	Tilt	Yes/No		
Display Set	Invert word	Yes/No		
	English/Chinese			
	LCD Backlight on	Yes		
		No		
Manual Set	Pan	000 - 255		
	Panmico	000 - 255	Pan fining adjust	
	Tilt	000 - 255		
	TiltMICO	000 - 255	Tilt fining adjust	
	ZOOM	000 - 255		
	DIM	000 - 255		
	STROBE	000 - 255		
	DIM_R	000 - 255		
	DIM_G	000 - 255		
	DIM_B	000 - 255		
	DIM_W	000 - 255		
Sound Sence	0-100	Sound Sensitivity adjust		

System Set	Version information	Vxxx	
	Pan reset	Normal/wrong	
	Tilt Reset	Normal/wrong	
	Default settings		
	Code settings	Password:↓↓↑↑	
	Pan_INIT	Pan fine adjust	
	TILT_INIT	Tilt fine adjust	
	ZOOM_INIT	Zoom adjust	
	SET_R	RED color set	
	SET_G	Green color set	
	SET_B	Blue color set	
	SET_W	White color set	
Reset	Reset		

4.DMX Channels

24 CH Mode

24CH	Function	DMX Value	Detail
CH 1	Pan	0-255	0-540°
CH 2	Pan Fine	0-255	16 bit
CH 3	Tilt	0-255	0-270°
CH 4	Tilt Fine	0-255	16 bit
CH 5	P/T Speed	0-255	Fast to slow
CH 6	Focus	0-255	Near to far
CH 7	Dimmer	0-255	Linear dimmer (dark to brightness)
CH 8	Strobe	0-9	No function
		10-154	Slow to fast (1HZ-25HZ)
		155-204	Random
		205-255	Thunder
CH 9	Led1-2 red dimmer	0-255	Region 1-2 R dimmer Dark and bright
CH10	Led1-2 green dimmer	0-255	Region 1-2 G dimmer Dark and bright
CH11	Led1-2 blue dimmer	0-255	Region 1-2 B dimmer Dark and bright
CH12	Led1-2 white dimmer	0-255	Region 1-2 W dimmer Dark and bright
CH 13	COT (color temperature)	0-9	No
		10-255	10000K-2500K
CH14	Color effect	0-9	No
		10-19	Color effect 1
		20-29	Color effect 2
		30-39	Color effect 3
		40-49	Color effect 4

		50-59	Color effect 5
		60-69	Color effect 6
		70-79	Color effect 7
		80-89	Color effect 8
		90-99	Color effect 9
		100-109	Color effect 10
		110-119	Color effect 11
		120-129	Color effect 12
		130-139	Color effect 13
		140- 149	Color effect 14
		150-159	Color effect 15
		160-169	Color effect 16
		170-179	Color effect 17
		180-189	Color effect 18
		190-199	Color effect 19
		200-209	Color effect 20
		210-224	Jumping
		225-239	Pulse
		240-255	Gradual change
CH15	Static Pattern effect	0-9	No
		10-19	Static Pattern effect 1
		20-29	Static Pattern effect 2
		30-39	Static Pattern effect 3
		40-49	Static Pattern effect 4
		50-59	Static Pattern effect 5
		60-69	Static Pattern effect 6
		70-79	Static Pattern effect 7
		80-89	Static Pattern effect 8
		90-99	Static Pattern effect 9
		100-109	Static Pattern effect 10
		110-119	Static Pattern effect 11
		120-129	Static Pattern effect 12
		130-139	Static Pattern effect 13
		140-149	Static Pattern effect 14
		150-159	Static Pattern effect 15
		160-169	Static Pattern effect 16
		170-179	Static Pattern effect 17
		180-189	Static Pattern effect 18
		190-199	Static Pattern effect 19
200-209	Static Pattern effect 20		
210-255	Static pattern effect		
CH16	dynamic Pattern effect	0-9	No
		10-19	dynamic Pattern effect 1
		20-29	dynamic Pattern effect 2
		30-39	dynamic Pattern effect 3
		40-49	dynamic Pattern effect 4

		50-59	dynamic Pattern effect 5
		60-69	dynamic Pattern effect 6
		70-79	dynamic Pattern effect 7
		80-89	dynamic Pattern effect 8
		90-99	dynamic Pattern effect 9
		100-109	dynamic Pattern effect 10
		110-119	dynamic Pattern effect 11
		120-129	dynamic Pattern effect 12
		130-139	dynamic Pattern effect 13
		140-149	dynamic Pattern effect 14
		150-159	dynamic Pattern effect 15
		160-169	dynamic Pattern effect 16
		170-179	dynamic Pattern effect 17
		180-189	dynamic Pattern effect 18
		190-199	dynamic Pattern effect 19
		200-255	dynamic Pattern effect 20
CH17	Back red	0-255	Control CH16
CH18	Back green	0-255	Control CH16
CH19	Back blue	0-255	Control CH16
CH20	Back white	0-255	Control CH16
CH21	Effect direction adjustment	0-127	Dynamic pattern positive direction
		128-255	Dynamic pattern reverse direction
CH22	Effect Speed	0-255	Fast to slow
CH23	Macro	0-9	No
		10-99	Auto run 1
		100-199	Auto run 2
		200-255	Sound control
CH24	Reset	0-239	No
		240-250	Reset (3s)
		251-255	No

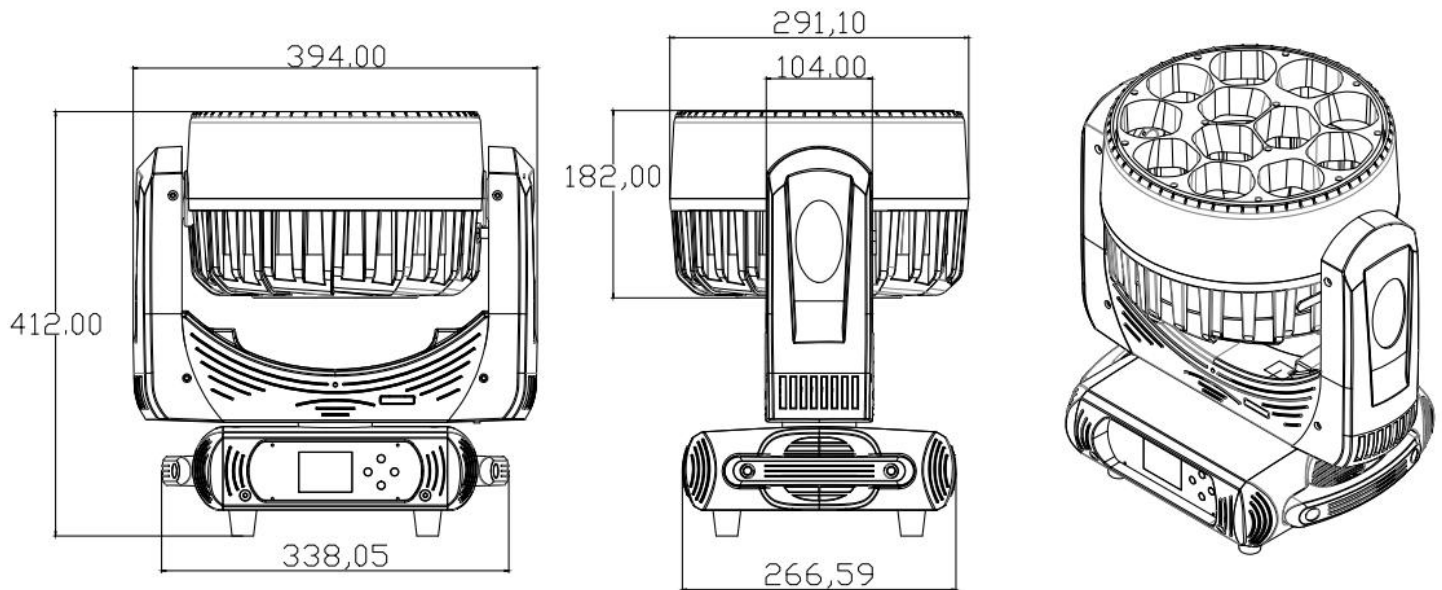
28 CH Mode

28CH	Function	DMX Value	Detail
CH 1	Pan	0-255	0-540°
CH 2	Pan Fine	0-255	16 bit
CH 3	Tilt	0-255	0-270°
CH 4	Tilt Fine	0-255	16 bit
CH 5	P/T Speed	0-255	Fast to slow
CH 6	Focus	0-255	Near to far
CH 7	Dimmer	0-255	Linear dimmer (dark to brightness)
CH 8	Strobe	0-9	No function
		10-154	Slow to fast (1HZ-25HZ)
		155-204	Random
		205-255	Thunder
CH 9	Led 1 red dimmer	0-255	Region 1 R dimmer Dark and bright
CH10	Led 1 green dimmer	0-255	Region 1 G dimmer Dark and bright

CH11	Led 1 blue dimmer	0-255	Region 1 B dimmer Dark and bright
CH12	Led 1 white dimmer	0-255	Region 1 W dimmer Dark and bright
CH13	Led 2 red dimmer	0-255	Region 2 R dimmer Dark and bright
CH14	Led 2 green dimmer	0-255	Region 2 G dimmer Dark and bright
CH15	Led 2 blue dimmer	0-255	Region 2 B dimmer Dark and bright
CH16	Led 2 white dimmer	0-255	Region 2 W dimmer Dark and bright
CH 17	COT (color temperature)	0-9	No
		10-255	10000K-2500K
CH18	Color effect	0-9	No
		10-19	Color effect 1
		20-29	Color effect 2
		30-39	Color effect 3
		40-49	Color effect 4
		50-59	Color effect 5
		60-69	Color effect 6
		70-79	Color effect 7
		80-89	Color effect 8
		90-99	Color effect 9
		100-109	Color effect 10
		110-119	Color effect 11
		120-129	Color effect 12
		130-139	Color effect 13
		141- 149	Color effect 14
		150-159	Color effect 15
		160-169	Color effect 16
		170-179	Color effect 17
		180-189	Color effect 18
		190-199	Color effect 19
200-209	Color effect 20		
210-224	Jumping		
225-239	Pulse		
240-255	Gradual change		
CH19	Static Pattern effect	0-9	No
		10-19	Static Pattern effect 1
		20-29	Static Pattern effect 2
		30-39	Static Pattern effect 3
		40-49	Static Pattern effect 4
		50-59	Static Pattern effect 5
		60-69	Static Pattern effect 6
		70-79	Static Pattern effect 7
		80-89	Static Pattern effect 8
		90-99	Static Pattern effect 9
		100-109	Static Pattern effect 10
		110-119	Static Pattern effect 11
		120-129	Static Pattern effect 12
		130-139	Static Pattern effect 13

		140-149	Static Pattern effect 14
		150-159	Static Pattern effect 15
		160-169	Static Pattern effect 16
		170-179	Static Pattern effect 17
		180-189	Static Pattern effect 18
		190-199	Static Pattern effect 19
		200-209	Static Pattern effect 20
		210-255	Static pattern effect
CH20	dynamic Pattern effect	0-9	No
		10-19	dynamic Pattern effect 1
		20-29	dynamic Pattern effect 2
		30-39	dynamic Pattern effect 3
		40-49	dynamic Pattern effect 4
		50-59	dynamic Pattern effect 5
		60-69	dynamic Pattern effect 6
		70-79	dynamic Pattern effect 7
		80-89	dynamic Pattern effect 8
		90-99	dynamic Pattern effect 9
		100-109	dynamic Pattern effect 10
		110-119	dynamic Pattern effect 11
		120-129	dynamic Pattern effect 12
		130-139	dynamic Pattern effect 13
		140-149	dynamic Pattern effect 14
		150-159	dynamic Pattern effect 15
		160-169	dynamic Pattern effect 16
		170-179	dynamic Pattern effect 17
		180-189	dynamic Pattern effect 18
		190-199	dynamic Pattern effect 19
		200-255	dynamic Pattern effect 20
CH21	Back red	0-255	Control CH16
CH22	Back green	0-255	Control CH16
CH23	Back blue	0-255	Control CH16
CH24	Back white	0-255	Control CH16
CH25	Effect direction adjustment	0-127	Dynamic pattern positive direction
		128-255	Dynamic pattern reverse direction
CH26	Effect Speed	0-255	Fast to slow
CH27	Macro	0-9	No
		10-99	Auto run 1
		100-199	Auto run 2
		200-255	Sound control
CH28	Reset	0-239	No
		240-250	Reset (3s)
		251-255	No

5.Dimension



6.Trouble Shooting

Following are a few common problems that may occur during operation. Here are some suggestions for easy troubleshooting:

A. The unit does not work, no light and the fan does not work

1. Check the connection of power and main fuse.
2. Measure the mains voltage on the main connector.
3. Check the power on LED.

B. Not responding to DMX controller

1. DMX LED should be on. If not, check DMX connectors, cables to see if link properly.
2. If the DMX LED is on and no response to the channel, check the address settings and DMX polarity.
3. If you have intermittent DMX signal problems, check the pins on connectors or on PCB of the unit or the previous one.
4. Try to use another DMX controller.
5. Check if the DMX cables run near or run alongside to high voltage cables that may cause damage or

interference to DMX interface circuit.

C. One of the channels is not working well

1. The stepper motor might be damaged or the cable connected to the PCB is broken.
2. The motor's drive IC on the PCB might be out of condition

7. Fixture Cleaning

The cleaning of internal and external optical lenses and/or mirrors must be carried out periodically to optimize light output. Cleaning frequency depends on the environment in which the fixture operates: damp, smoky or particularly dirty surrounding can cause greater accumulation of dirt on the unit's optics.

Clean with soft cloth using normal glass cleaning fluid.

Always dry the parts carefully.

Clean the external optics at least every 20 days. Clean the internal optics at least every 30/60 days.